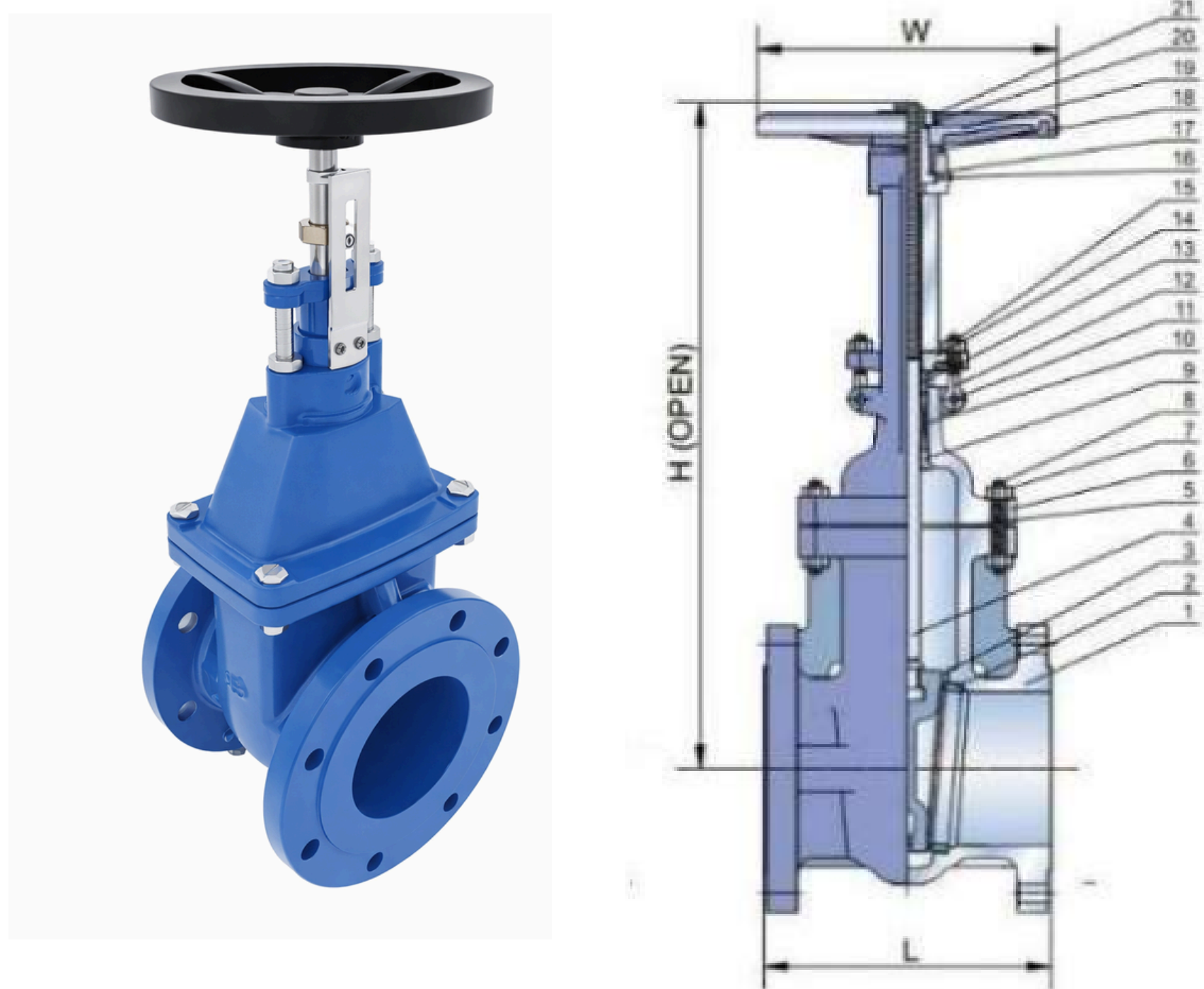


GATE VALVE

General Features

- Standard sizes from 2" – 24". Larger sizes available upon request.
- Available in flanged or butt-weld end connections.
- Available in Rising (OS&Y) and Non-Rising Spindle designs.
- Face-to-face dimensions as per ASME B16.10.
- Seat leak test as per API 598.
- May be installed in horizontal and vertical pipelines.
- All welders are qualified to ASME Section IX.
- Rising or Non-Rising spindle options available.
- Extended bonnet option available on request.
- Locking device option available on request.
- Full flow low pressure drop design.
- Solid / Flexible wedge options available.



Material Data

COMPONENT	MATERIAL
Body	ASTM A216 WCB, CF8, CF8M, CF3, CF3M, Duplex-4A, 5A, 6A, Ni-Al-Br
Bonnet	ASTM A216 WCB, CF8, CF8M, CF3, CF3M, Duplex-4A, 5A, 6A, Ni-Al-Br
Wedge / Disc	CS / SS with optional hard facing
Stem	SS410, SS304, SS316, SS304L, SS316L, Duplex and Super Duplex Steel
Seat Rings	SS410, SS304, SS316, SS304L, SS316L, Duplex and Super Duplex Steel with Stellite (Optional)
Gasket	NACF, Neoprene, Nitrile, PTFE, Spiral Wound Stainless Steel
Fasteners	ASTM A193 B7, B8, B8M

* Other materials available on request.

Components

1. Body	2. Seat Ring	3. Disc
4. Stem	5. Gasket	6. Bonnet
7. Bonnet Bolt Nuts	8. Bonnet Bolts	9. Back Seat Bushin
10. Stem Packing	11. Eye Bolt Pins	12. Gland Eye Bolts
13. Gland	14. Gland Flange	15. Eye Bolt Nuts
16. Grease Nipple	17. Stem Nut	18. Retaining Nut
19. Handwheel Nut	20. Screw	21. Yoke

Dimensions

SIZE (IN)	SIZE (MM)	L (Face to Face Dimensions)			H (Height)			W (Wheel Length)		
		#150	#300	#600	#150	#300	#600	#150	#300	#600
2	50	178	216	292	389	430	455	200	200	250
2.5	65	191	241	330	439	505	588	200	250	250
3	80	203	283	356	500	530	550	250	250	250
4	100	229	305	432	595	630	690	250	250	350
6	150	267	403	559	777	800	910	350	350	450
8	200	292	419	660	1075	1008	1065	400	400	500
10	250	330	457	787	1160	1240	1257	450	450	640
12	300	356	502	838	1390	1470	1468	560	500	680
14	350	381	762	889	1555	1645	1623	600	600	610
16	400	406	838	991	1811	1841	1816	640	600	610
18	450	432	914	1092	2103	1959	2266	680	610	610
20	500	457	991	1194	2300	2194	2705	760	610	610
24	600	508	1143	1397	2609	2598	2810	610	610	610
26	650	559	1245	-	2780	2800	-	610	610	-
28	700	610	1346	-	3327	3100	-	610	610	-
30	750	610	1397	-	3606	3320	-	610	810	-
32	800	660	1524	-	3708	3560	-	610	810	-
36	900	711	1727	-	3924	3910	-	610	810	-
40	1000	762	-	-	4280	-	-	610	-	-

Dimensions

SIZE (IN)	SIZE (MM)	L (Face to Face Dimensions)			H (Height)			W (Wheel Length)		
		#900	#1500	#2500	#900	#1500	#2500	#900	#1500	#2500
2	50	368	368	451	620	695	700	95	350	135
2.5	65	419	419	508	705	705	750	108	400	210
3	80	381	470	578	737	770	887	125	400	271
4	100	457	546	673	825	872	1079	194	500	506
6	150	610	705	914	1065	1092	1450	378	600	1600
8	200	737	832	1122	1219	1400	1610	635	610	2450
10	250	838	991	1270	1345	1600	2076	900	610	4570
12	300	965	1130	1422	1840	1840	2281	1550	610	7150