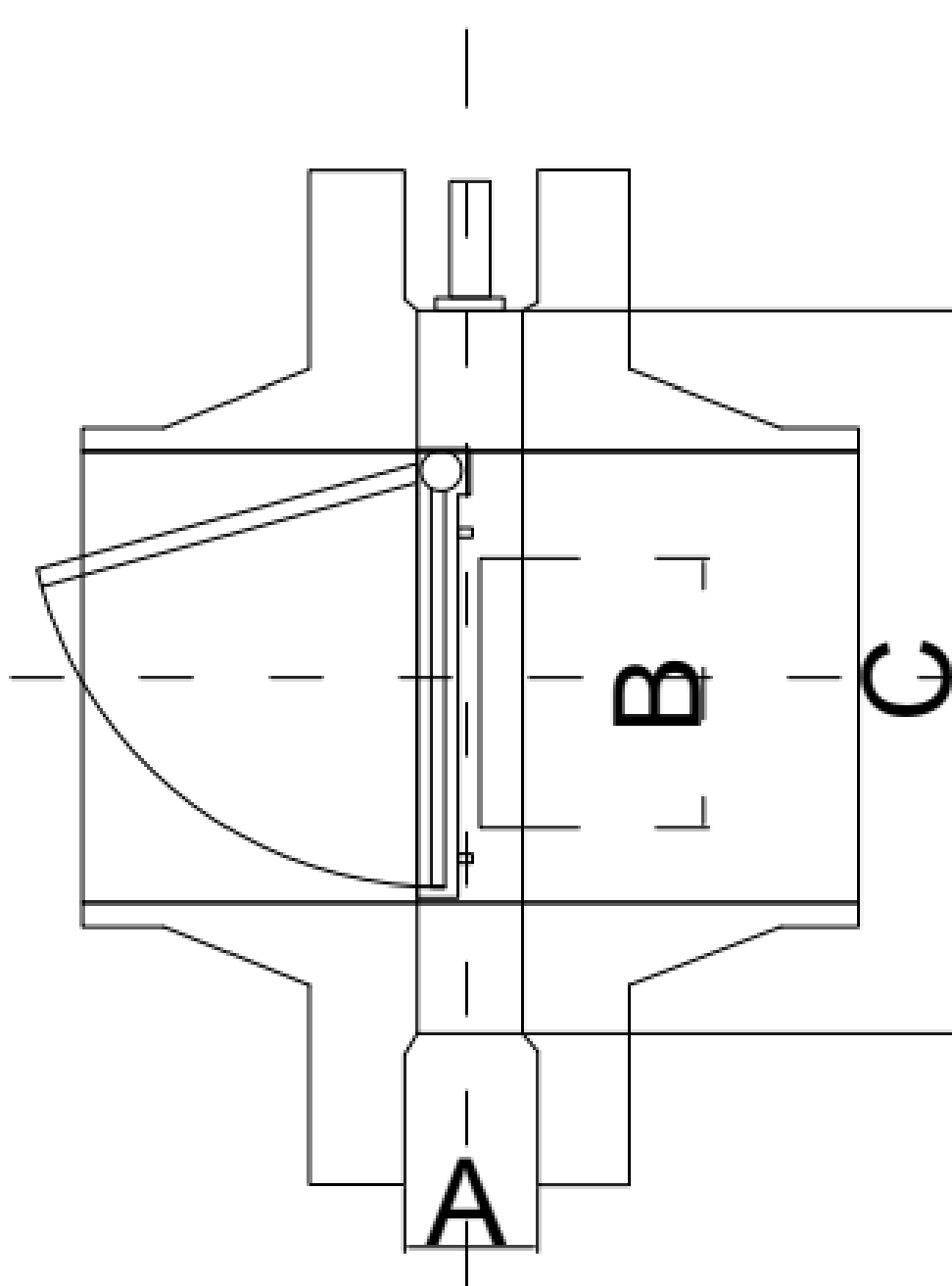
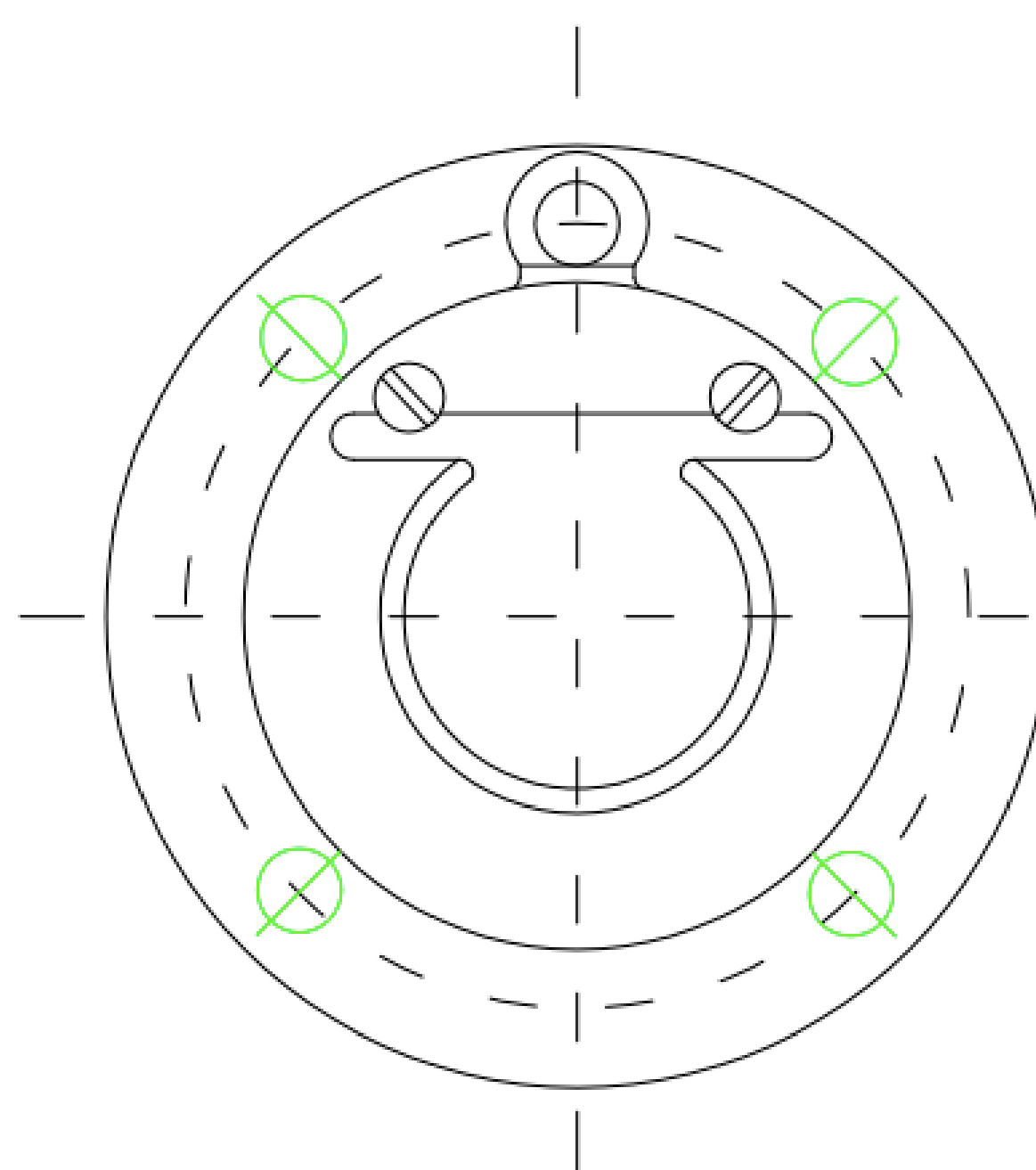


# CHECK VALVES

## NRV-Single-WACHK-SERIES

### General Features

- Wafer type body to suit ANSI and DIN connection flanges
- Rated to 125/150 class, DIN PN 10 / 16
- Designed to API 6D / ASME B16.10 Face-to-Face
- Spring loaded disc can be provided on request for tight shut-off
- Eccentrically mounted pin with soft seated design ensures tight shut-off
- Lifting eye bolts for sizes above 150 NB are standard
- Casted and fabricated options are available
- Pressure testing as per API 598
- Temperature rating: -20°C to 105°C
- Pressure rating: 125/150 Lbs - PN 10/16
- Size range: 40 NB to 600 NB
- Low weight and easy to handle design



### Material Specification

COMPONENT	MATERIAL
Body	CI to IS 210, ASTM A216 WCB, CF8, CF8M, CS to IS 1875-II, SS 304, SS 316
Hinge	Duplex Steel, Super Duplex Steel
Disc	SS 316, Duplex, Super Duplex, SS 410, CI to IS 210, SS 304, SS 316
Seat	SS 304, SS 316, SS 410
Spring	SS 316, Duplex Steel
Seal	EPDM (-25°C to 105°C)

\* Duplex steel disc and pins can be provided only for a minimum order of 10 nos.

### Dimensions

SIZE (MM)	SIZE (IN)	A	B	C
40	1.5	16	81	22
50	2	16	96	30
65	2.5	16	109	40
80	3	16	130	52
100	4	16	160	71
125	5	16	190	93
150	6	19	213	114
200	8	28	270	157
250	10	28	327	195
300	12	38	327	230
350	14	41	437	270
400	16	51	487	310
450	18	51	532	360
500	20	60	585	406
600	24	70	687	490

### Cv Values

SIZE (NB)	50	65	80	100	125	150	200	250	300	350	400	450	500	600
<b>CV</b>	48	100	181	291	494	705	1795	2563	4259	5436	7355	9537	12004	17804

