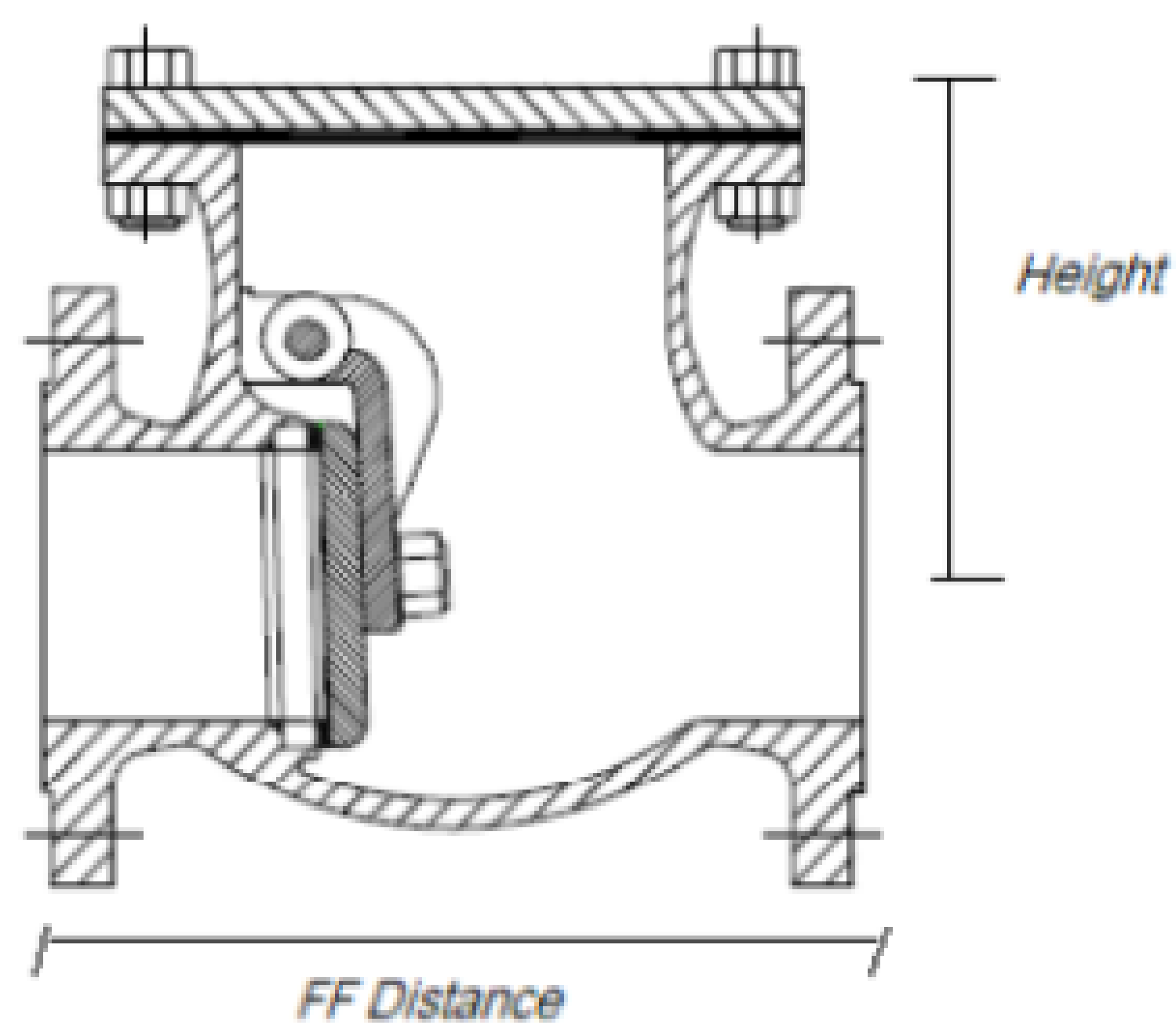


CHECK VALVES

NRV-Globe-SWCHK-SERIES

General Features

- Globe type body with ANSI connection flanges
- Rated to 150/300 class
- Designed to API 6D, ANSI B16.1 Face-to-Face
- Spring loaded dual disc can be provided for tight shut-off
- Soft seated discs can be supplied for tight shut-off on request
- Casted body with thickness as per API 600
- Robust design with low pressure drop
- Full bore check valve resulting in very low pressure drop



Material Specification

COMPONENT	MATERIAL
Body	CI to IS 210, ASTM A216 WCB, CF8, CF8M, CF3, Duplex Steel, Super Duplex Steel
Hinge Pin	SS 316, SS 410
Discs	CI to IS 210, ASTM A216 WCB, SS 304, SS 316, Duplex, Super Duplex Steel, SS 304, SS 316, SS 410
Seat	SS 316, Duplex Steel
Soft Seat (Optional)	Nitrile, PTFE, EPDM (-25°C to 105°C)
Gaskets	Spiral Wound, CAF, Neoprene
Fasteners	CS to IS 1367 CI4, ASTM A193 B7

* Duplex steel components can be provided only for a minimum order of 10 nos.

Dimensions

NB	Face to Face RF		Face to Face RTJ		Face to Face BW		Height	
	#150	#300	#150	#300	#150	#300	#150	#300
50	203	267	216	283	203	267	165	178
65	216	292	229	308	216	292	178	191
80	241	318	254	333	241	318	186	211
100	292	356	305	371	292	356	217	246
125	330	400	343	416	330	400	230	305
150	356	444	368	460	356	444	266	318
200	495	533	508	550	495	533	318	356
250	622	622	635	638	622	622	368	394
300	698	711	711	727	698	711	406	482
350	787	838	800	854	787	838	432	533
400	864	864	876	880	864	864	483	584
450	978	978	991	994	978	978	600	590
500	978	1016	991	1035	978	1016	660	614
600	1295	1346	1308	1368	1295	1346	740	709

Cv Values

SIZE (NB)	50	65	80	100	150	200	250	300	350	400	450	500	600
Cv	65	90	135	215	680	1270	2350	3850	4750	7400	9550	13000	22000

