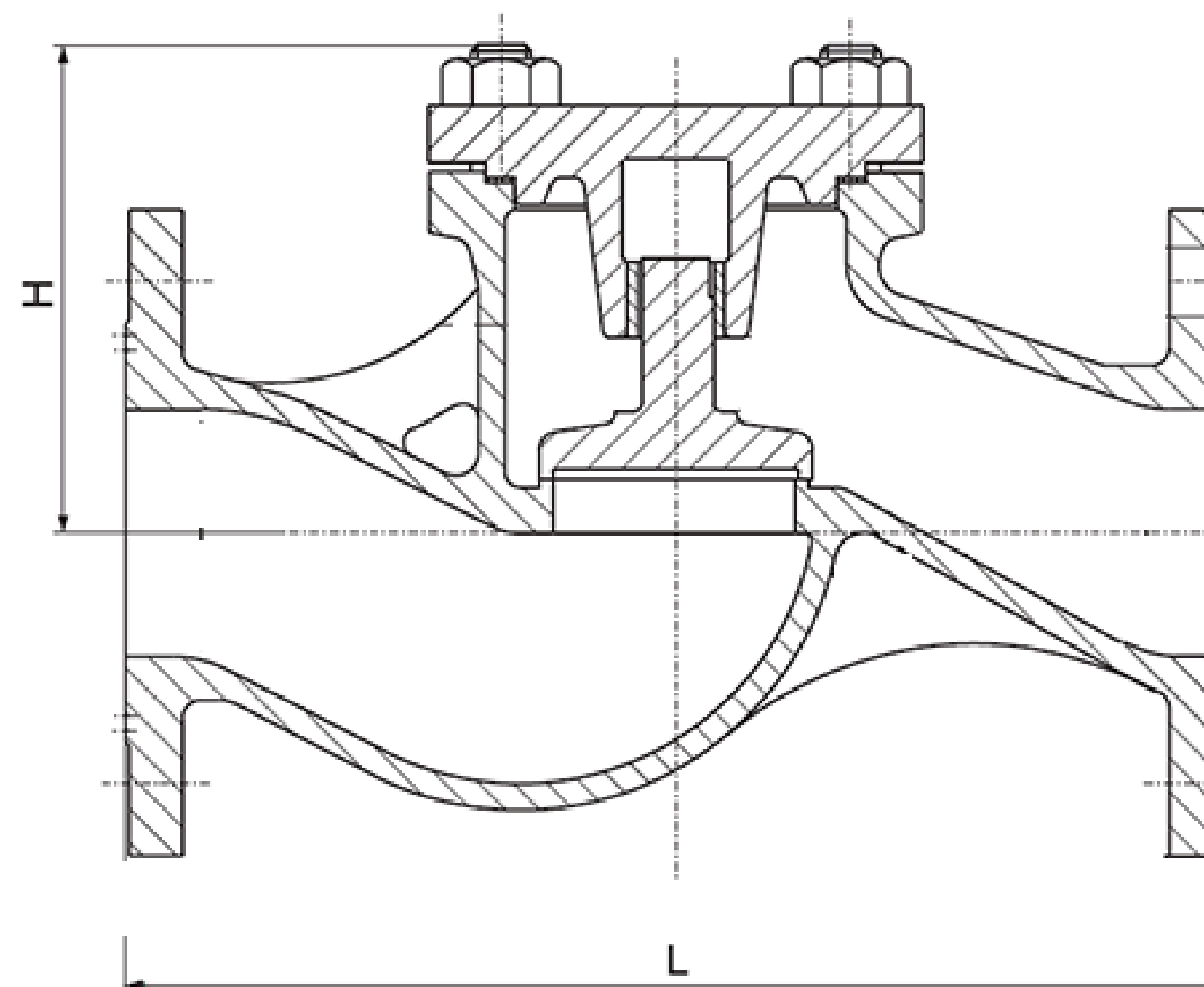


# CHECK VALVES

## NRV-Globe-LFTCHK-SERIES

### General Features

- Globe type body with ANSI connection flanges
- Rated to 150/300 class
- Designed to API 6D, ANSI B16.1 Face-to-Face
- Spring loaded mechanism provided for tight shut-off
- Soft seated discs can be supplied for tight shut-off on request
- Casted body with thickness as per API 600
- Robust design with low pressure drop
- Full bore check valve resulting in low pressure drop



### Material Specification

COMPONENT	MATERIAL
Body	CI to IS 210, ASTM A216 WCB, CF8, CF8M, CF3, Duplex Steel, Super Duplex Steel
Spindle / Piston	SS 316, SS 410, SS 304
Discs	CI to IS 210, ASTM A216 WCB, SS 304, SS 316, Duplex, Super Duplex Steel
Seat	SS 304, SS 316, SS 410
Spring (Optional)	SS 316, Duplex Steel
Soft Seat (Optional)	Nitrile, PTFE, EPDM (-25°C to 105°C)
Gaskets	Spiral Wound, CAF, Neoprene

\*Duplex steel components can be provided only for a minimum order of 10 nos.

### Dimensions

SIZE (IN)	NB	L				H			
		150#		300#		150#		300#	
		inch	mm	inch	mm	inch	mm	inch	mm
2	50	8	203	10.5	267	5.1	165	7	178
2.5	65	8.6	216	11.5	292	5.6	178	7.5	191
3	80	9.7	242	12.5	318	6.1	186	8.3	211
4	100	11.7	292	14	356	7.1	217	9.7	246
5	125	13.2	330	15.7	400	9	230	12	305
6	150	14.2	356	17.5	444	9.3	266	12.5	318
8	200	19.8	495	21	533	10.9	318	14	356
10	250	24.9	622	24.5	622	12.3	368	15.5	394
12	300	27.9	698	28	711	13.8	406	19	482
14	350	31.5	787	33	838	18.3	432	21	533
16	400	34.6	864	34	864	19.5	483	23	584
18	450	39.1	978	38.5	979	21	600	23.2	590
20	500	39.1	978	40	1016	23.3	660	24.2	614
24	600	51.8	1295	53	1346	23.3	740	27.9	709

### Cv Values

SIZE (NB)	50	65	80	100	150	200	250	300	350	400	450	500	600
<b>Cv</b>	65	90	135	215	680	1270	2350	3850	4750	7400	9550	13000	22000