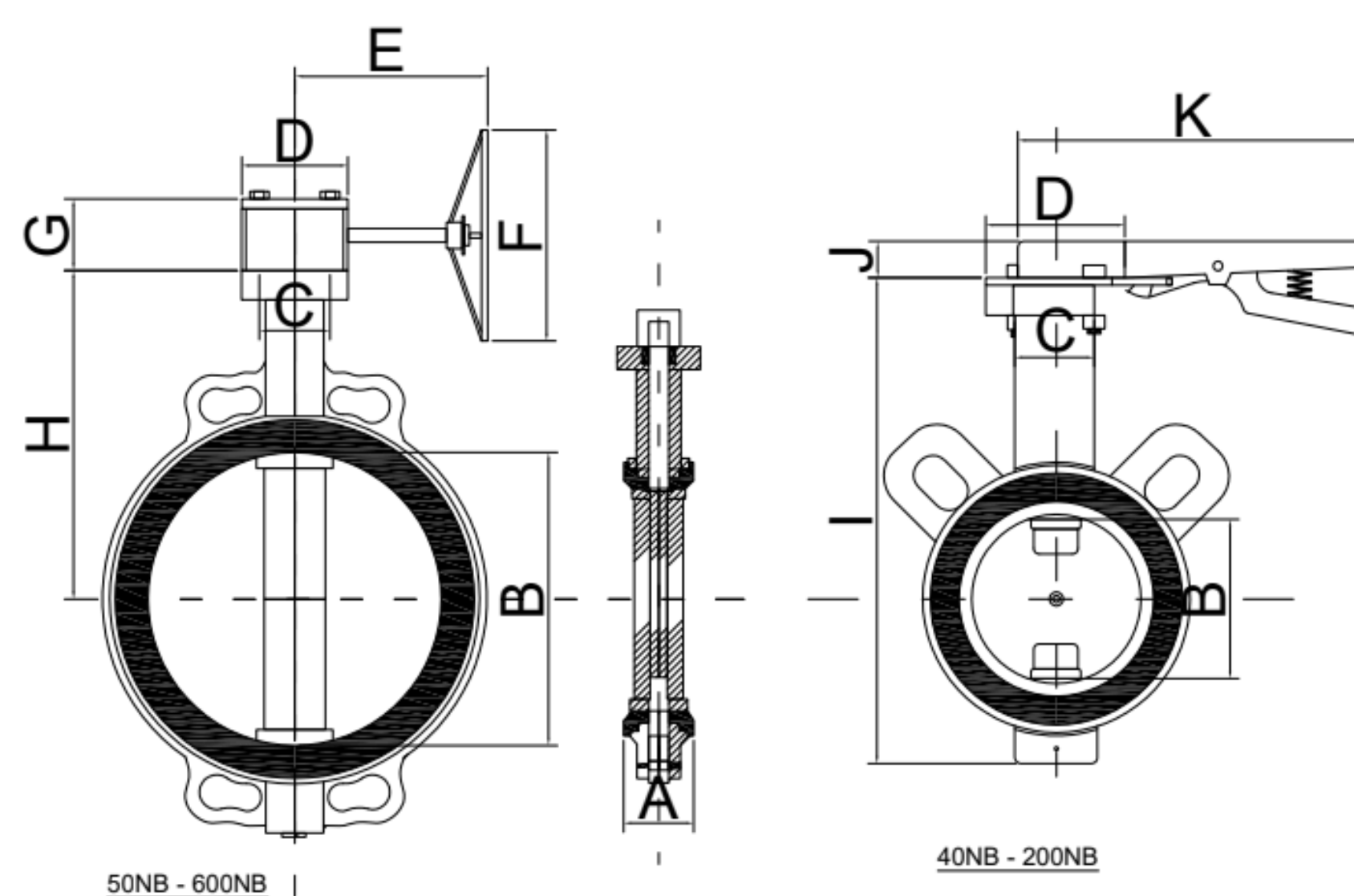


BUTTERFLY VALVES

BFV Wafers SERIES

General Features

- Wafer type body to suit ANSI and DIN connection flanges
- Rated to 150/125 class
- Designed to API 609, ASME B16.34
- Actuator mounting is designed to ISO 5211:2017
- Disc edge is machined and polished 360° to provide tight shut-off and low torque
- Robust bushing to align shaft and support the shaft
- Properly machined shaft in accordance with torque requirements
- Secondary and primary seals are standard to prevent leakage and external contamination
- Robust seat lining to avoid warping during installation
- Spring loaded lever up to 250 NB and gearbox for higher sizes is standard
- Electric and pneumatic actuators can be supplied on request
- Indexing scale indicating percentage of opening can be provided
- Grooved handle arrangement to lock valves at various positions can be provided optionally



Material Specification

COMPONENT	MATERIAL
Body	CI to IS 210, Ductile Iron, ASTM A216 WCB, CF8, CF8M
Pin	SS 316
Disc	CI/DI with anti-corrosive coat, SS 304, SS 316, SS 410
Shaft	SS 304, SS 316
Seat	EPDM (-25 to 105°C), BUNA N (-20 to 80°C), VITON (-20 to 135°C), PTFE (-20 TO 180°C)
Seal	BUNA N O-Ring, PTFE O-Ring
Bushing	DELTRIN

Cv Chart

SIZE	Degrees Open								
	10°	20°	30°	40°	50°	60°	70°	80°	90°
2"	0	1.3	5	14	26	40	52	59	60
2-1/2"	0	1.4	6	21	44	74	107	138	151
3"	0.7	1.5	8	29	67	115	175	234	262
4"	1.7	15	48	107	196	318	463	589	647
5"	3	32	99	206	362	579	832	1045	1141
6"	4	47	145	295	510	810	1160	1450	1580
8"	6	84	239	450	751	1190	1754	2385	2892
10"	9	133	360	652	1064	1683	2524	3596	4593
12"	12	192	509	899	1449	2288	3470	5085	6682
14"	75	340	770	1400	2200	3400	5600	7900	10000
16"	100	440	1000	1800	2800	4500	7400	10800	13000
18"	130	570	1300	2300	3600	5800	9600	15000	18000
20"	150	710	1600	2900	4600	7200	12000	18400	22000

Dimensions

NB	A	B	C	D	E	F	G	H	I	J	K
40	33	40	50	65	NA	NA	NA	NA	109	30	177
50	43	51	50	65	185	235	52	128	128	30	177
65	46	65	50	65	185	235	52	144	144	30	177
80	46	81	50	65	185	235	52	148	148	30	177
100	52	103	50	65	185	235	52	166	166	30	177
125	56	125	50	65	185	235	52	188	192	30	265
150	56	153	70	90	185	235	52	206	206	30	265
200	60	201	70	90	185	235	52	235	235	30	265
250	68	253	70	90	185	235	52	282	NA	NA	NA
300	78	300	70	90	265	280	70	302	NA	NA	NA
350	92	331.2	102	125	265	280	70	325	NA	NA	NA
400	102	385.6	102	125	280	430	80	372	NA	NA	NA
450	114	419	125	150	320	520	92	377	NA	NA	NA
500	127	471.4	125	150	320	520	92	400	NA	NA	NA
600	154	574	125	150	320	520	92	505	NA	NA	NA