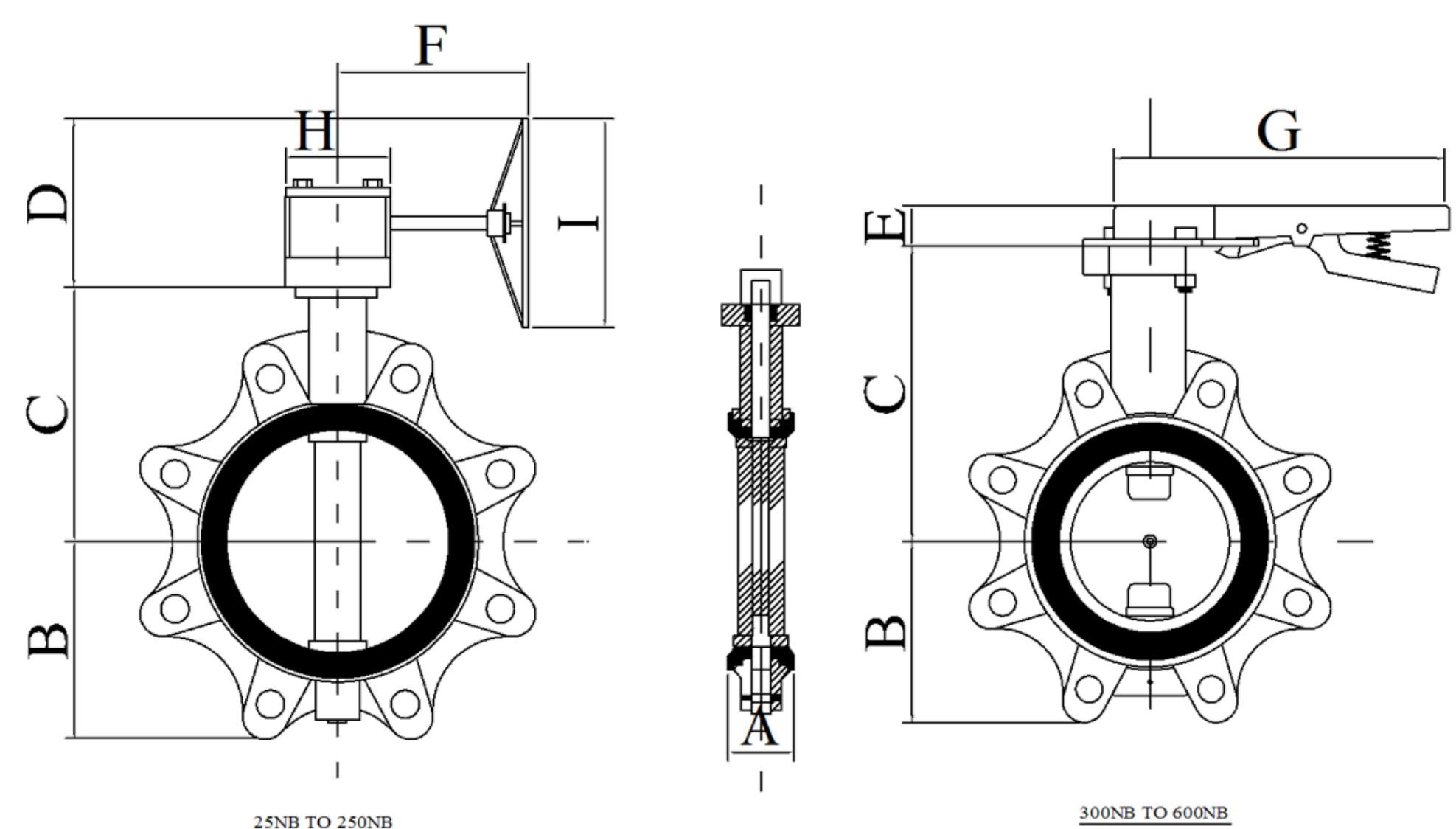


BUTTERFLY VALVES

BFV LUG SERIES

General Features

- Wafer type Body with Lug to suit ANSI and DIN connection flanges
- Rated to 150/125 class
- Designed to API 609, ASME B16.34
- Actuator mounting is designed to ISO 5211:2017
- Disc edge is machined and polished 360° to provide tight shut-off and low torque
- Robust bushing to align shaft and support the shaft
- Properly machined shaft in accordance with torque requirements
- Secondary and primary seals are standard to prevent leakage and external contamination
- Robust seat lining to avoid warping during installation
- Spring loaded lever up to 250 NB and gearbox for higher sizes is standard
- Electric and pneumatic actuators can be supplied on request
- Indexing scale indicating percentage of opening can be provided
- Grooved handle arrangement to lock valves at various positions can be provided optionally



Material Specification

COMPONENT	MATERIAL
Body	CI to IS 210, Ductile Iron, ASTM A216 WCB, CF8, CF8M
Pin	SS 316
Disc	CI/DI with anti-corrosive coat, SS 304, SS 316, SS 410
Shaft	SS 304, SS 316
Seat	EPDM (-25 to 105°C), BUNA N (-20 to 80°C), VITON (-20 to 135°C), PTFE (-20 TO 180°C)
Seal	BUNA N O-Ring, PTFE O-Ring
Bushing	DELFIN

Cv Chart

SIZE	Degrees Open								
	10°	20°	30°	40°	50°	60°	70°	80°	90°
2"	0	1.3	5	14	26	40	52	59	60
2-1/2"	0	1.4	6	21	44	74	107	138	151
3"	0.7	1.5	8	29	67	115	175	234	262
4"	1.7	15	48	107	196	318	463	589	647
5"	3	32	99	206	362	579	832	1045	1141
6"	4	47	145	295	510	810	1160	1450	1580
8"	6	84	239	450	751	1190	1754	2385	2892
10"	9	133	360	652	1064	1683	2524	3596	4593
12"	12	192	509	899	1449	2288	3470	5085	6682
14"	75	340	770	1400	2200	3400	5600	7900	10000
16"	100	440	1000	1800	2800	4500	7400	10800	13000
18"	130	570	1300	2300	3600	5800	9600	15000	18000
20"	150	710	1600	2900	4600	7200	12000	18400	22000

Dimensions

NB	A	B	C	D	E	F	G	H	I
25	33	51	104	102.5	68	130	102	110	150
32	33	56	110	102.5	68	130	102	110	150
40	33	63	116	102.5	50	130	170	110	150
50	43	62	126	102.5	50	130	170	110	150
65	46	69	136	102.5	50	130	170	110	150
80	46	90	15	102.5	69	130	206	110	150
100	52	106	170	102.5	69	130	206	110	150
125	56	119	180	102.5	90	130	285	110	150
150	56	131	200	102.5	90	130	285	110	150
200	60	166	230	290	72	135	400	155	300
250	68	202	266	190	72	226	530	170	300
300	78	235	92	190	NA	226	NA	170	300
350	78	267	368	183	NA	216	NA	151	285
400	102	297	400	183	NA	216	NA	151	285
450	114	318	422	183	NA	216	NA	151	285
500	127	355	480	311	NA	256	NA	214	285
600	154	444	562	386	NA	285	NA	262	385