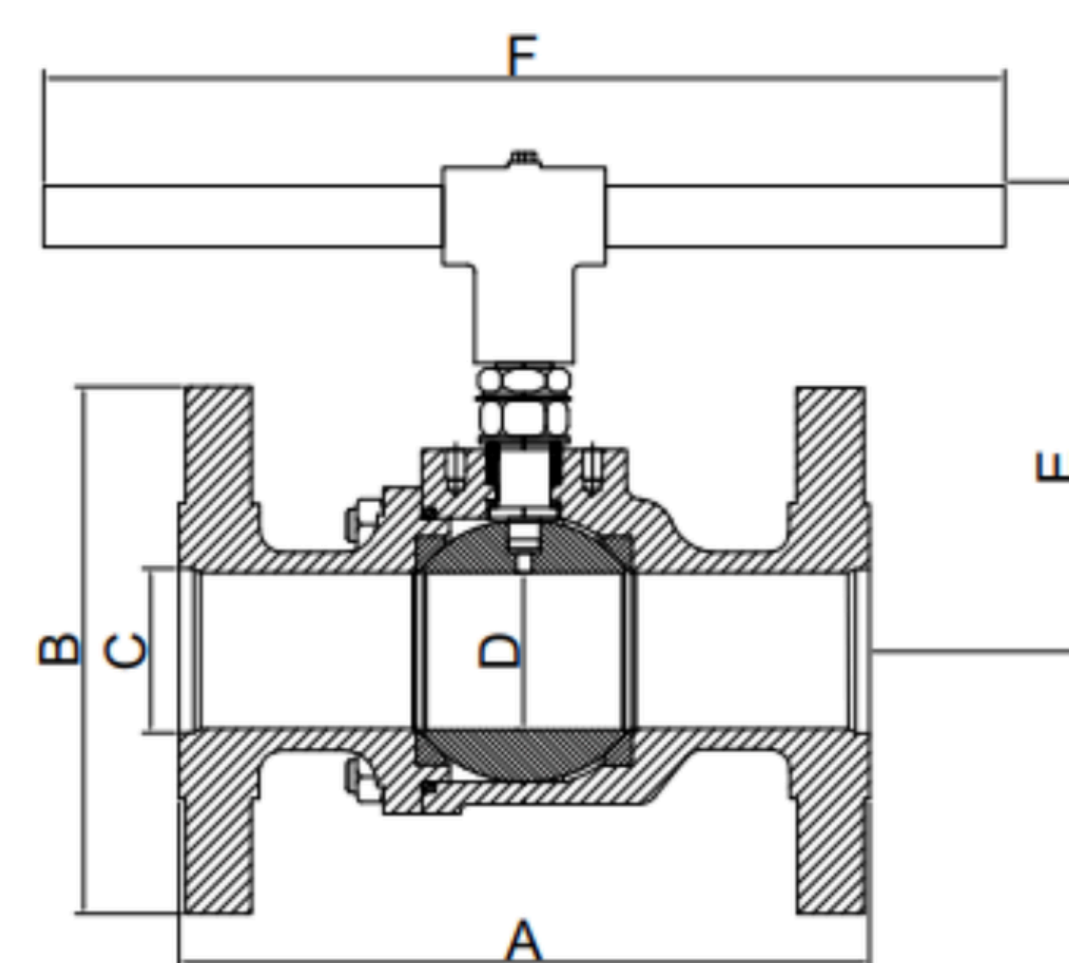
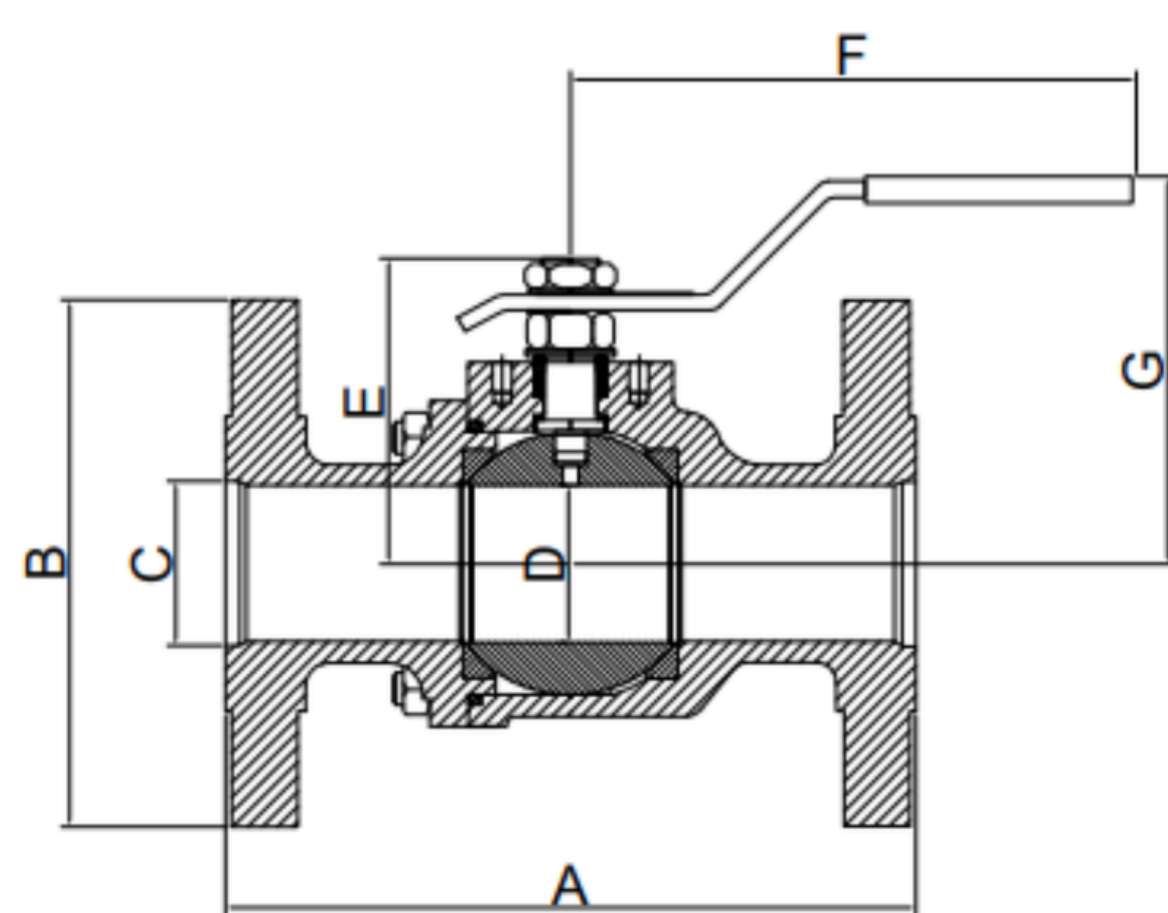
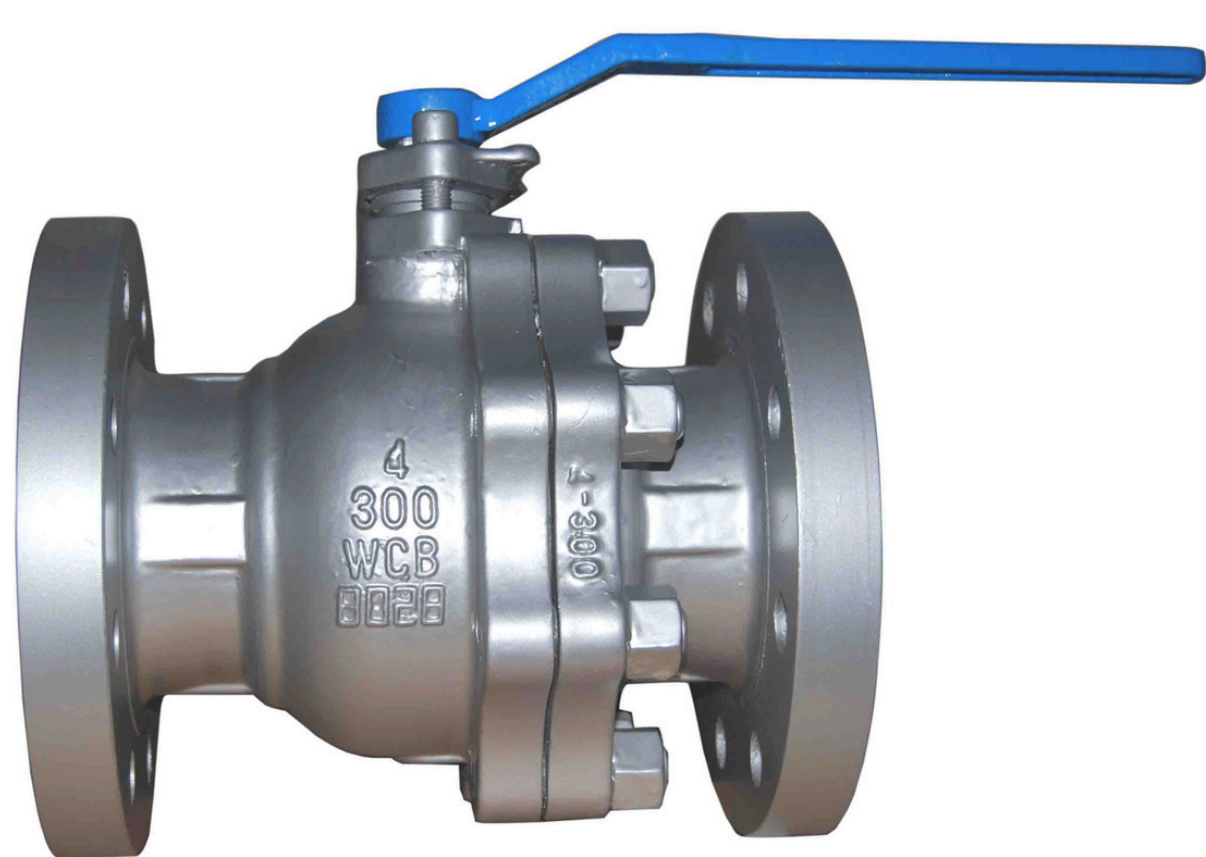


# BALL VALVES

## BV-TP-FB-Series-Flanged

### General Features

- Full Bore Ball – Designed to provide maximum flow with minimal pressure drop.
- Two Piece Body Design – Robust construction with ANSI Class 150 / 300 flanged end connections.
- Pressure Rating – Valves are rated for ANSI Class 150 / 300 service conditions.
- Design Standard – Engineered in accordance with API 6D with face-to-face dimensions as per ASME B16.10.
- ISO Mounting Pad – Actuator mounting pad designed as per ISO 5211:2017 for easy automation.
- Mirror Finished Stainless Steel Ball – Solid stainless steel ball with precision mirror finish ensures smooth operation and tight sealing.
- Low Torque Operation – Precision machining ensures reliable sealing with reduced operating torque.
- Blowout Proof Stem – Stem with shoulder design prevents blowout and ensures safe operation under pressure.
- Atmospheric Sealing – Thrust seals and stem packing provide effective sealing to prevent leakage to atmosphere.
- Standard Lever Operation – Manual lever actuator is supplied as standard.
- Automation Options – Electric and pneumatic actuators can be supplied on request.
- Pressure Testing – All valves are pressure tested in accordance with API 598.



### Material Specification

COMPONENT	MATERIAL
Body	CI to IS 210, ASTM A216 WCB, CF8, CF8M, CF3, CF3M
Ball	SS 316, SS 304, SS 304L, SS 316L
Shaft	SS 316, SS 304, SS 304L, SS 316L
Seat	PTFE, Carbon Filled PTFE (on request)
Seal	PTFE, Graphite

### Dimensions

SIZE	A		B		C	D	E	F	G
	#150	#300	#150	#300					
NB	mm	mm	mm	mm	mm	mm	mm	mm	mm
15	108	140	90	95	13	11	38	122	92
20	117	152	100	115	19	17	46	142	98
25	127	165	110	125	25	24	54	152	98
40	165	190	125	155	38	37	75	212	125
50	178	216	150	165	49	49	87	212	125

### Cv Values

SIZE (NB)	15	20	25	32	40	50	65	80	100	150	200
<b>Cv</b>	20	50	100	135	225	465	770	1090	1970	4635	8565
<b>Kv</b>	17	45	85	115	220	395	655	930	1675	3940	7280