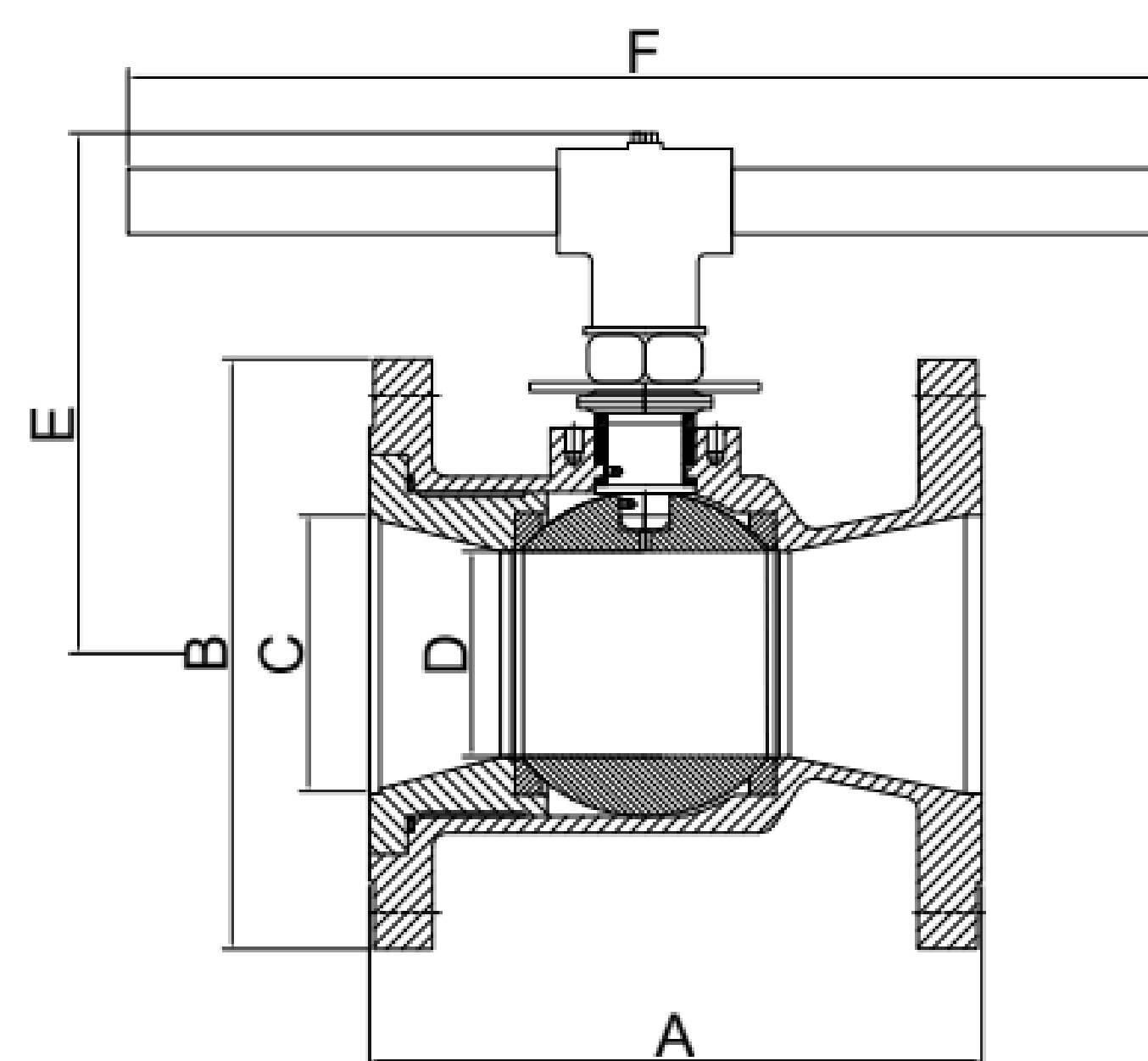
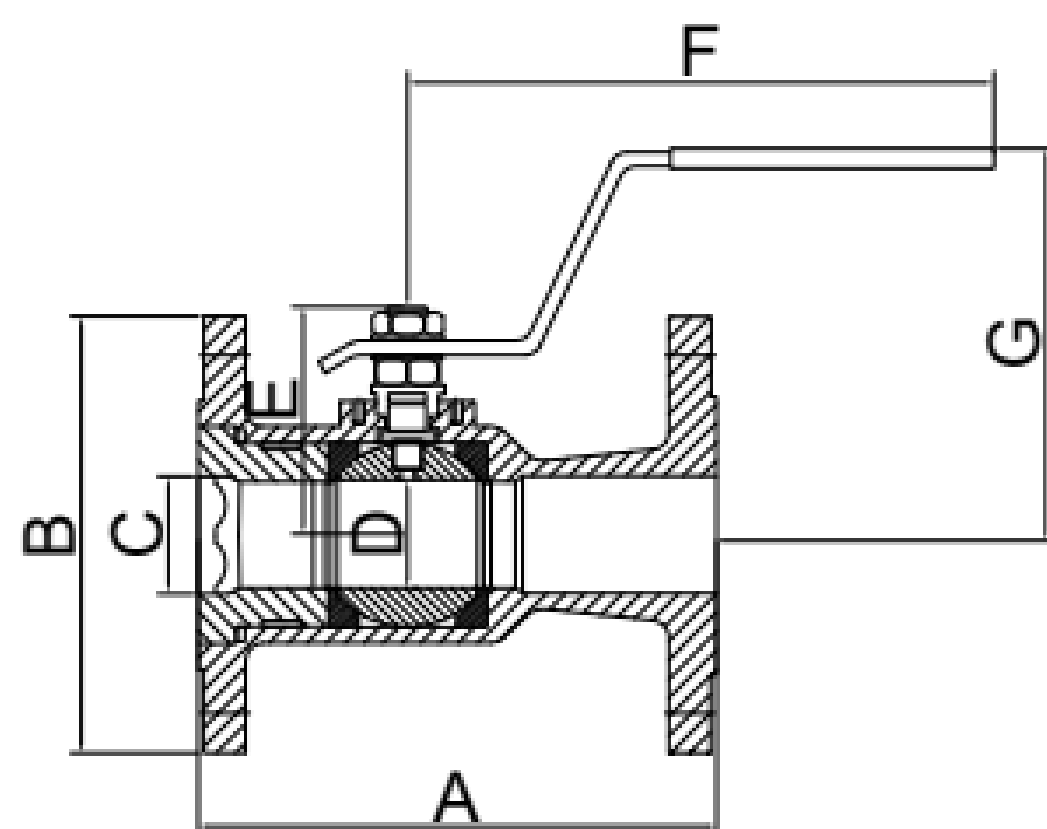


# BALL VALVES

## BV-SP-RB-Series

### General Features

- Regular Bore Ball
- Single piece Body design with ANSI 150/300 Class Flanged ends
- Rated to 150/300 class
- Designed to API 6D & Face to Face as per ASME B16.10
- Actuator mounting is designed to ISO 5211:2017
- Solid Stainless steel Ball with mirror finish is standard
- This ensures leak tight sealing and low torque operation
- Stem with shoulder provides for blowout proof and hence more the pressure better the sealing to atmosphere
- Thrust seals and stem packing seals are used to seal leakage to atmosphere
- Handlever actuator is standard
- Electric and Pneumatic actuators can be supplied on request
- Pressure testing as per API 598



### Material Specification

COMPONENT	MATERIAL
Body	CI to IS 210, ASTM A216 WCB, CF8, CF8M, Barstock on Request, CF3, CF3M
Ball	SS 316, SS 304, SS 304 L, SS 316 L
Shaft	SS 316, SS 304, SS 304 L, SS 316 L
Seat	PTFE, Carbon filled PTFE on request
Seal	PTFE, Graphite

### Dimensions

SIZE	A		B		C	D	E	F	G
	#150	#300	#150	#300					
NB	mm	mm	mm	mm	mm	mm	mm	mm	mm
15	108	140	90	95	13	11	38	120	90
20	117	152	100	115	19	11	38	120	90
25	127	165	110	125	25	17	46	140	100
40	165	190	125	155	38	227	56	180	115
50	178	216	150	165	51	37	75	210	122
65	190	241	180	190	64	49	102	210	142
80	203	282	190	210	76	62	175	390	165
100	229	305	230	255	102	74	195	390	200
150	267	403	280	320	152	98	245	NA	250

### Cv Values

SIZE (NB)	20	25	32	40	50	65	80	100	150	200
Cv	15	40	60	95	175	335	570	625	870	2300
Kv	13	35	50	80	150	285	485	530	740	1955

