

BALL VALVES

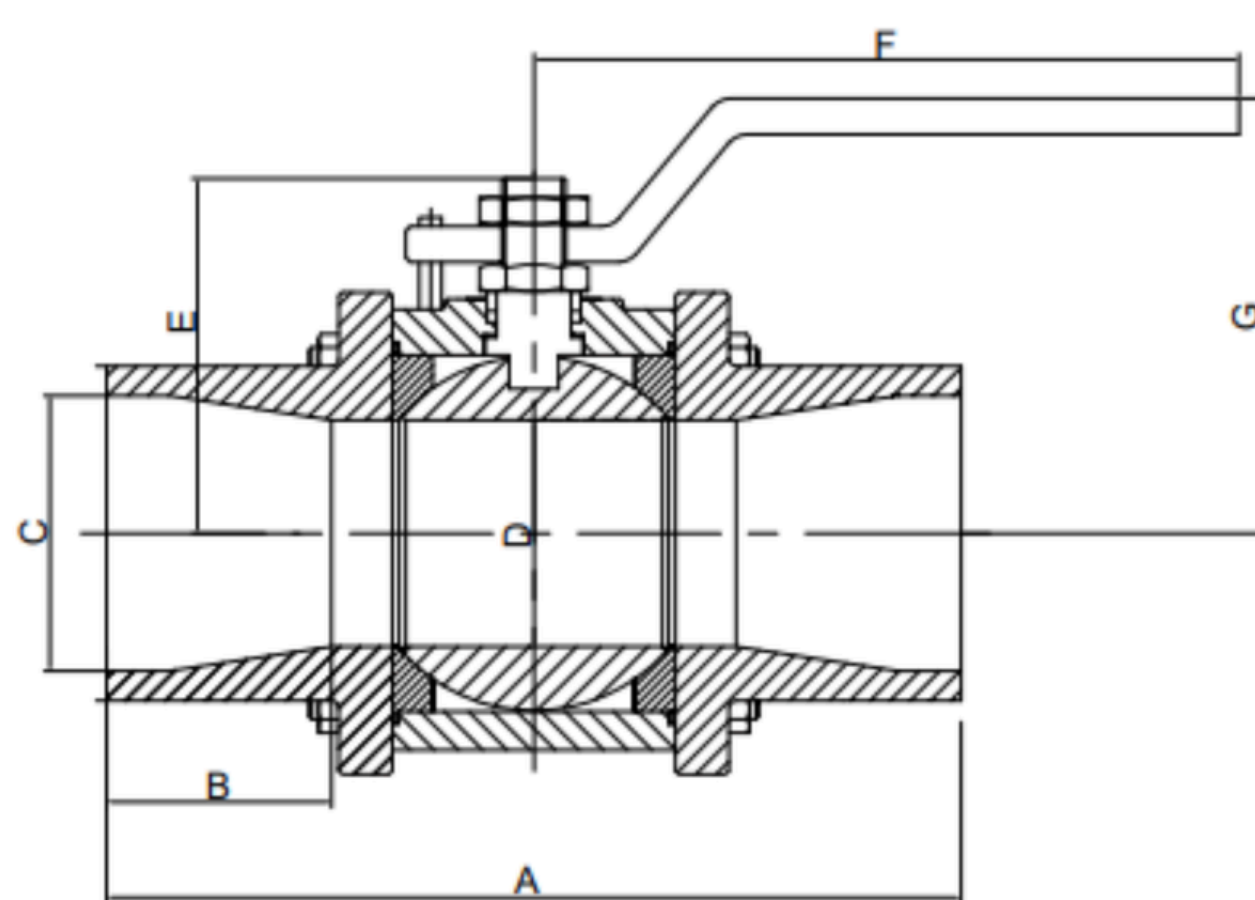
BV-3P-RB-Series-Screwed

General Features

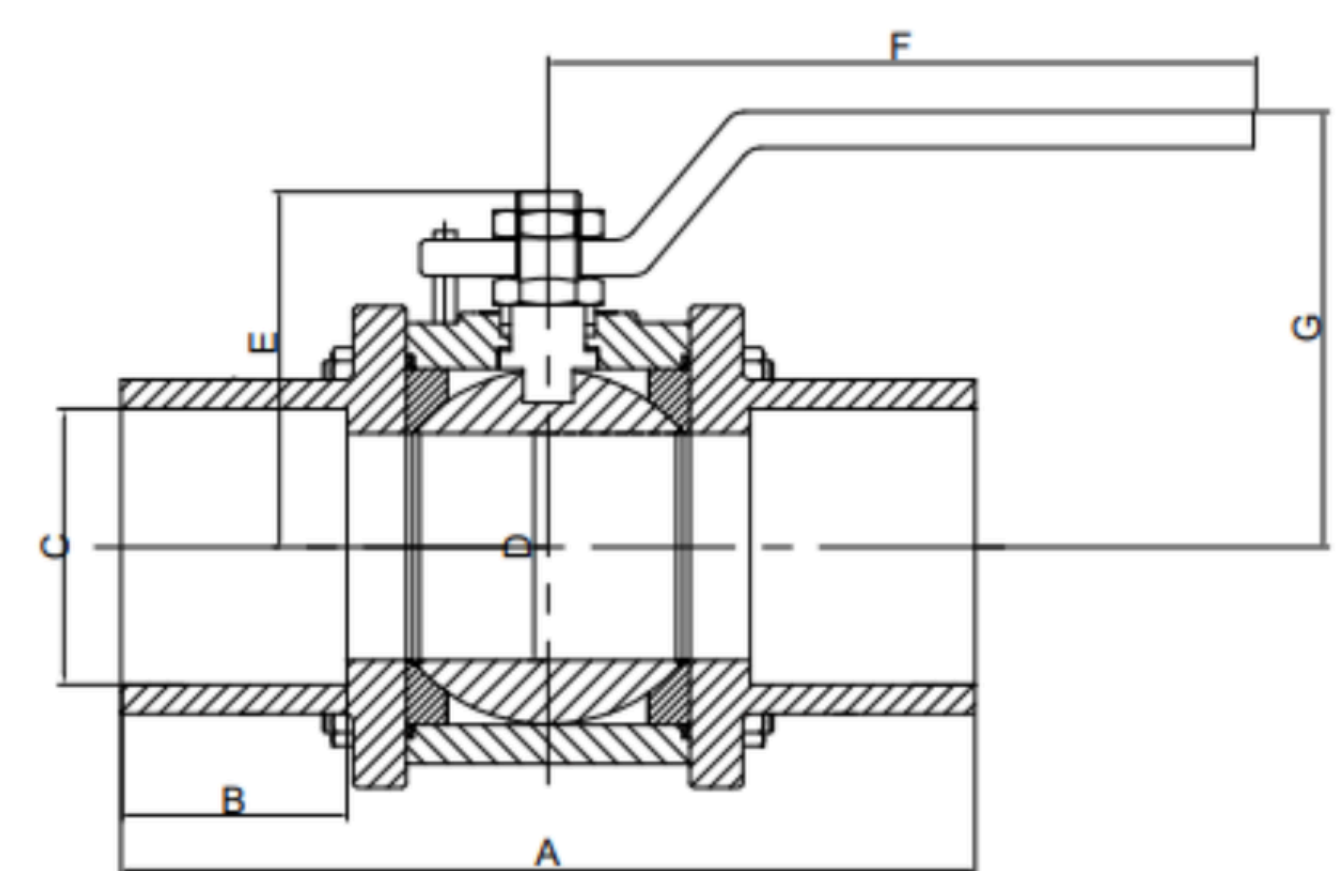
- Regular Bore Ball
- Three piece Body design with NPT(f)/BSP(f) Screwed ends / Socket welded to ASME B16.11
- Rated to 150/300 class, higher ratings on request
- Actuator mounting is designed to ISO 5211:2017
- Solid Stainless steel Ball with mirror finish is standard
- This ensures leak tight sealing and low torque operation
- Stem with shoulder provides for blowout proof and hence more the pressure better the sealing to atmosphere
- Thrust seals and stem packing seals are used to seal leakage to atmosphere
- Handlever actuator is Standard
- Electric and Pneumatic actuators can be supplied on request
- Pressure testing as per API 598



BV-3P-RB-SERIES-SCREWED



BV-3P-RB-SERIES-SOCKET



Material Specification

COMPONENT	MATERIAL
Body	ASTM A216 WCB, A105, CF8, CF8M, Barstock CS, CF3, CF3M
Ball	SS 316, SS 304, SS 304 L, SS 316 L
Shaft	SS 316, SS 304, SS 304 L, SS 316 L
Seat	PTFE, Carbon filled PTFE on request
Seal	PTFE, Graphite

Dimensions

SIZE	A	B	C			D	E	F	G
			SW	BSPT	NPT				
NB	mm	mm	mm	Threa	Thread	mm	mm	mm	mm
8	62	9.5	14.6 - 14.2	8-19	8-18	11	38	132	50
10	62	9.5	18.0 - 17.6	10-19	10-18	11	38	132	50
15	66	10	22.2 - 21.8	15-14	15-14	11	38	132	50
20	69	13	27.6 - 27.2	20-11	20-14	11	38	132	50
25	90	13	34.3 - 33.9	25-11	25-11.5	17	46	132	58
32	97	13	43.1 - 42.7	32-11	32-11.5	24	54	162	65
40	103	13	49.2 - 48.8	40-11	40-11.5	27	56	162	66
50	122	16	61.7 - 61.2	50-11	50-11.5	37	75	192	83
80	185	16	90.3 - 89.8	80-11	80-8	62	200	390	200
100	212	19	115.7 - 115.2	100-11	100-8	74	225	600	225

Cv Values

SIZE (NB)	20	25	32	40	50	65	80	100	150	200
Cv	15	40	60	95	175	335	570	625	870	2300
Kv	13	35	50	80	150	285	485	530	740	1955

