

BALL VALVES

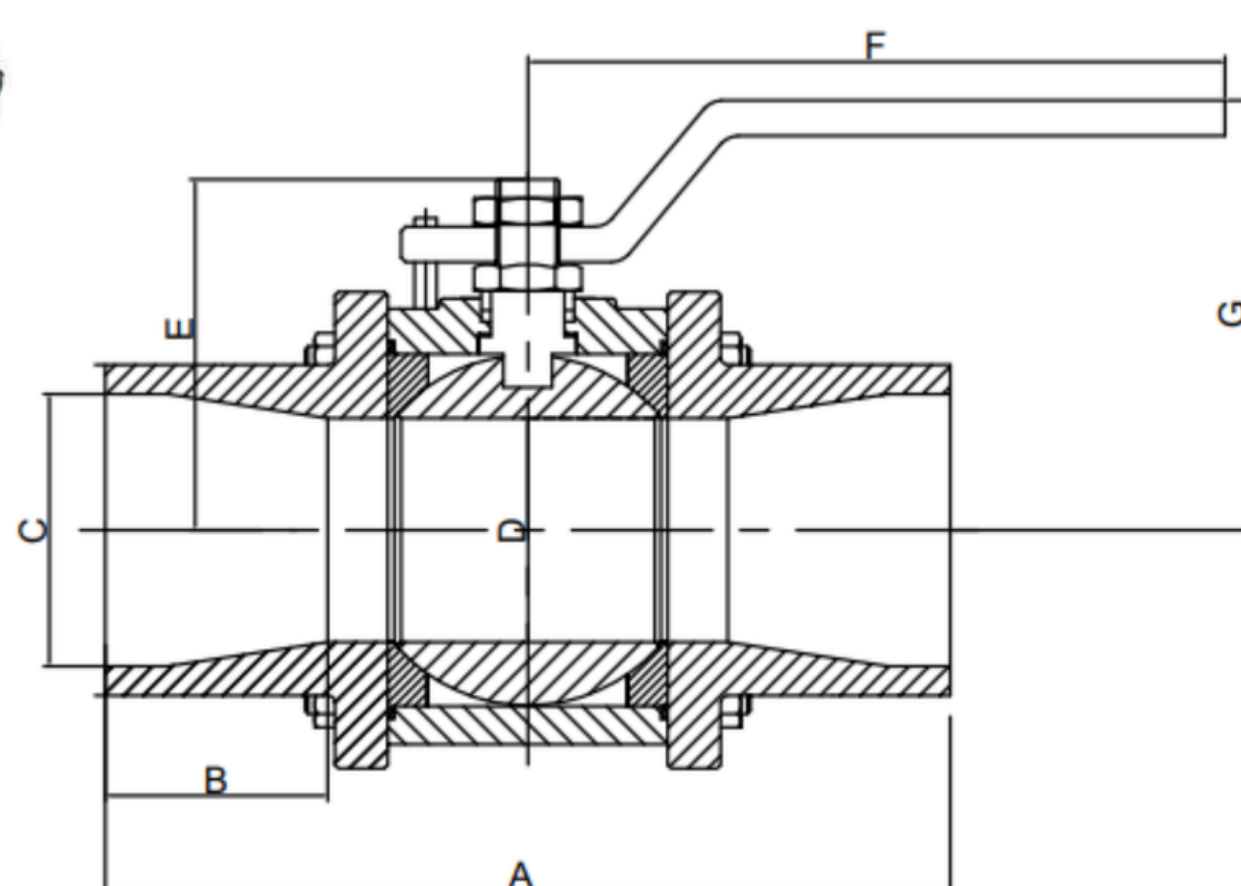
BV-3P-FB-Series-Screwed

General Features

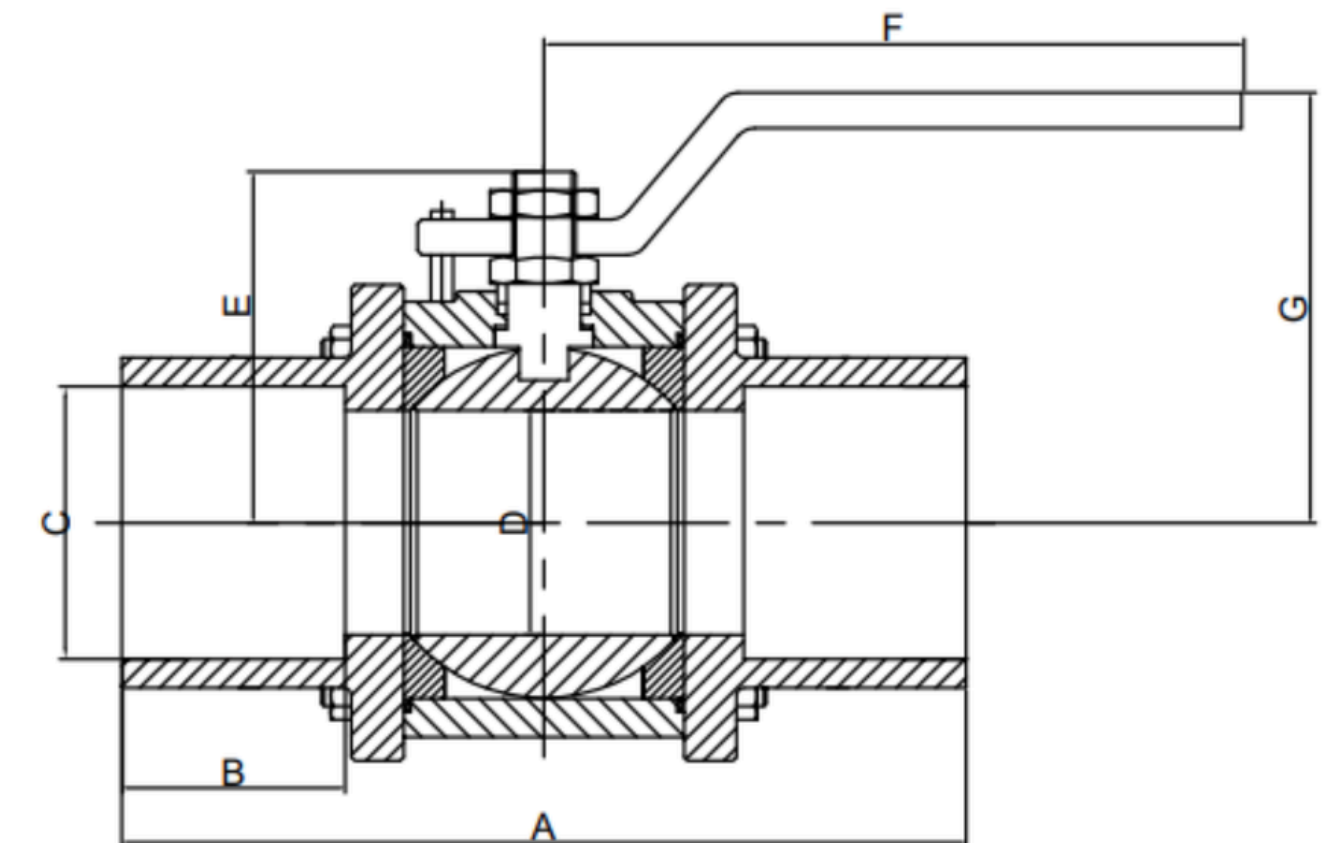
- Full Bore Ball
- Three piece Body design with NPT(f)/BSP(f) screwed ends / Socket welded to ASME B16.11
- Rated to 150/300 class, higher ratings on request
- Actuator mounting is designed to ISO 5211:2017
- Solid Stainless Steel Ball with mirror finish is standard
- This ensures leak tight sealing and low torque operation
- Stem with shoulder provides for blowout proof and hence more the pressure better the sealing to atmosphere
- Thrust seals and stem packing seals are used to seal leakage to atmosphere
- Handlever actuator is standard
- Electric and Pneumatic actuators can be supplied on request
- Pressure testing as per API 598



BV-3P-FB-SERIES-SCREWED



BV-3P-FB-SERIES-SOCKET



Material Specification

| COMPONENT | MATERIAL |
|-----------|---|
| Body | ASTM A216 WCB, ASTM A105, CF8, CF8M, Barstock CS, CF3, CF3M |
| Ball | SS 316, SS 304, SS 304 L, SS 316 L |
| Shaft | SS 316, SS 304, SS 304 L, SS 316 L |
| Seat | PTFE, Carbon Filled PTFE (on request) |
| Seal | PTFE, Graphite |

Dimensions

| SIZE | A | B | C | | | D | E | F | G |
|------|-----|-----|---------------|--------|---------|----|-----|-----|-----|
| | | | SW | BSPT | NPT | | | | |
| NB | mm | mm | mm | Threa | Thread | mm | mm | mm | mm |
| 8 | 62 | 9.5 | 14.6 - 14.2 | 8-19 | 8-18 | 11 | 38 | 132 | 50 |
| 10 | 62 | 9.5 | 18.0 - 17.6 | 10-19 | 10-18 | 11 | 38 | 132 | 50 |
| 15 | 66 | 10 | 22.2 - 21.8 | 15-14 | 15-14 | 11 | 38 | 132 | 50 |
| 20 | 75 | 13 | 27.6 - 27.2 | 20-11 | 20-14 | 17 | 46 | 132 | 58 |
| 25 | 92 | 13 | 34.3 - 33.9 | 25-11 | 25-11.5 | 24 | 54 | 162 | 65 |
| 32 | 114 | 13 | 43.1 - 42.7 | 32-11 | 32-11.5 | 37 | 75 | 192 | 83 |
| 40 | 114 | 13 | 49.2 - 48.8 | 40-11 | 40-11.5 | 37 | 75 | 192 | 83 |
| 50 | 132 | 16 | 61.7 - 61.2 | 50-11 | 50-11.5 | 49 | 87 | 202 | 94 |
| 65 | 185 | 16 | 74.4 - 73.9 | 65-11 | 65-8 | 62 | 200 | 390 | 200 |
| 80 | 208 | 16 | 90.3 - 89.8 | 80-11 | 80-8 | 74 | 225 | 390 | 225 |
| 100 | 240 | 19 | 115.7 - 115.2 | 100-11 | 100-8 | 98 | 250 | 600 | 250 |

Cv Values

| SIZE (NB) | 15 | 20 | 25 | 32 | 40 | 50 | 65 | 80 | 100 | 150 | 200 |
|-----------|----|----|-----|-----|-----|-----|-----|------|------|------|------|
| Cv | 20 | 50 | 100 | 135 | 225 | 465 | 770 | 1090 | 1970 | 4635 | 8565 |
| Kv | 17 | 45 | 85 | 115 | 220 | 395 | 655 | 930 | 1675 | 3940 | 7280 |

