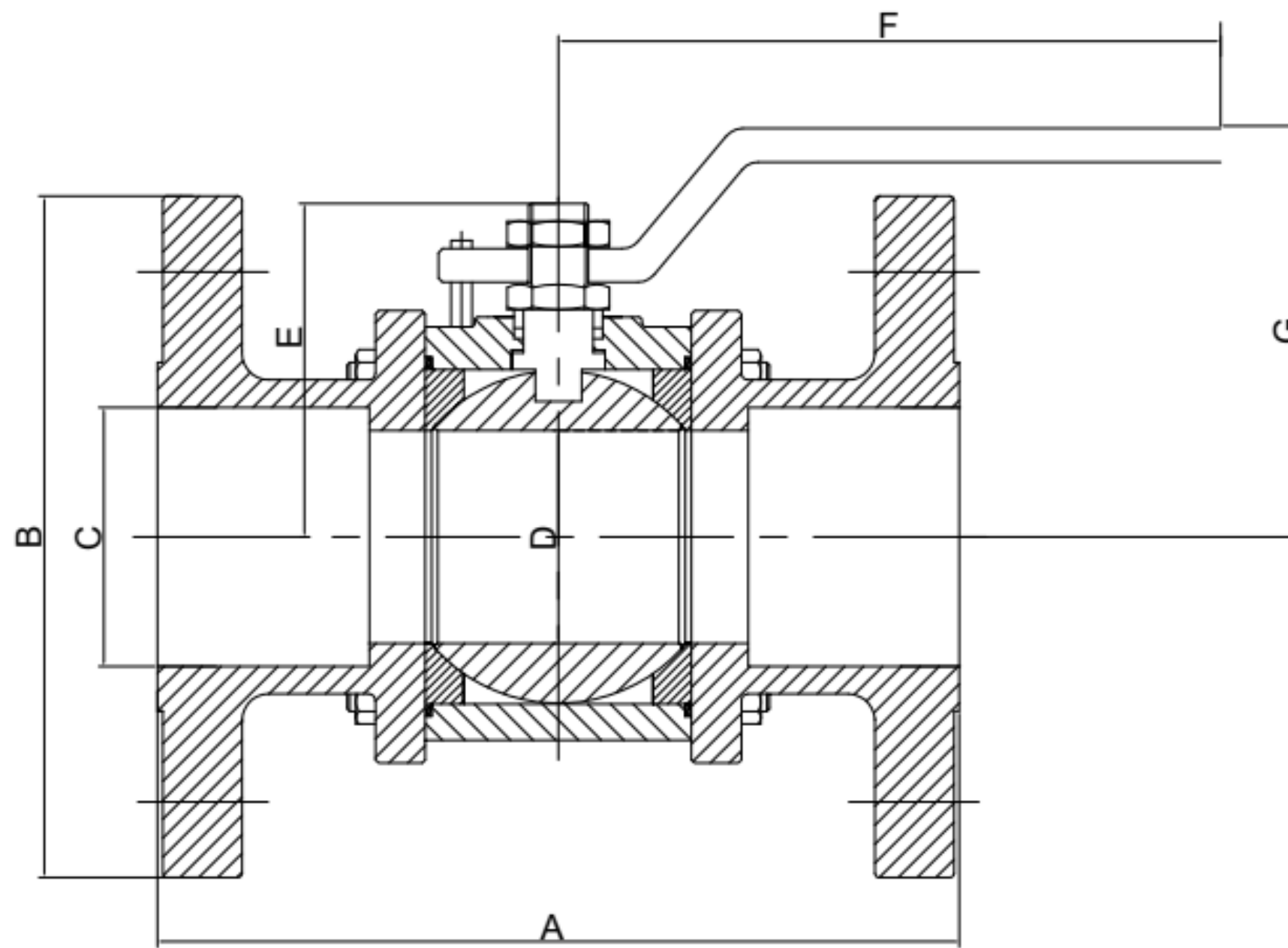


BALL VALVES

BV-3P-FB-Series-Flanged

General Features

- Full Bore Ball
- Three piece Body design with ANSI 150/300 Class Flanged ends
- Rated to 150/300 class
- Designed to API 6D & Face to Face as per ASME B16.10
- Actuator mounting is designed to ISO 5211:2017
- Solid Stainless Steel Ball with mirror finish is standard
- This ensures leak tight sealing and low torque operation
- Stem with shoulder provides for blowout proof and hence more the pressure better the sealing to atmosphere
- Thrust seals and stem packing seals are used to seal leakage to atmosphere
- Handlever actuator is Standard
- Electric and Pneumatic actuators can be supplied on request
- Pressure testing as per API 598



Material Specification

COMPONENT	MATERIAL
Body	ASTM A216 WCB, CF8, CF8M, Barstock CS, CF3, CF3M
Ball	SS 316, SS 304, SS 304 L, SS 316 L
Shaft	SS 316, SS 304, SS 304 L, SS 316 L
Seat	PTFE, Carbon Filled PTFE (on request)
Seal	PTFE, Graphite

Dimensions

SIZE	A		B		C	D	E	F	G
	#150	#300	#150	#300					
	mm	mm	mm	mm	mm	mm	mm	mm	mm
15	108	140	90	95	13	11	38	122	92
20	117	152	100	115	19	17	46	142	98
25	127	165	110	125	25	24	54	152	98
40	165	190	125	155	38	37	75	212	125
50	178	216	150	165	49	49	87	212	125

Cv Values

SIZE (NB)	15	20	25	32	40	50	65	80	100	150	200
Cv	20	50	100	135	225	465	770	1090	1970	4635	8565
Kv	17	45	85	115	220	395	655	930	1675	3940	7280

