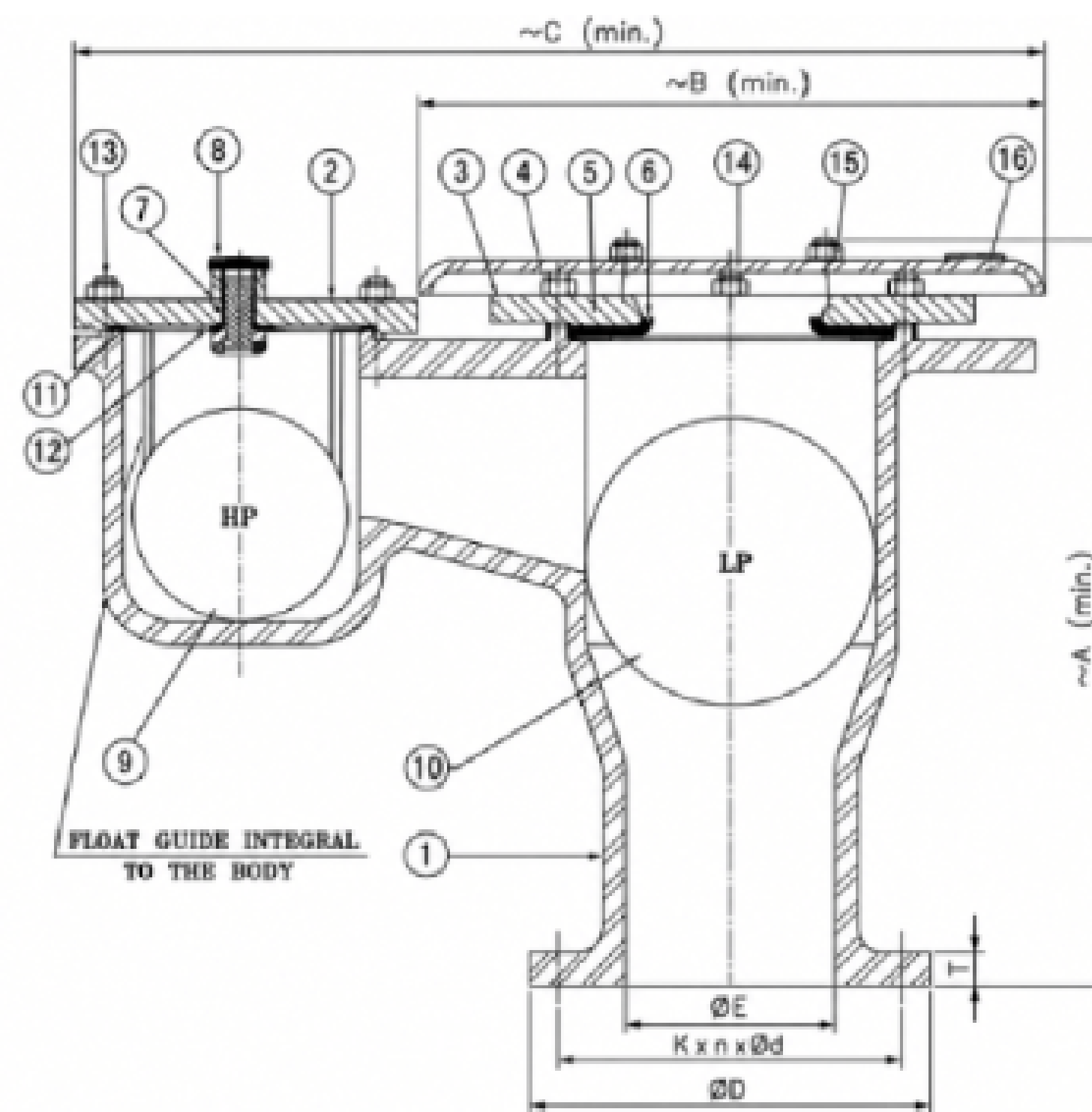


AIR RELEASE VALVE KN SERIES

General Features

- 100% Tight Shut Off
- Renewable Seats
- High Discharge Rated Orifice
- RT, PMI & MPT Available on Request
- Isolation Valves Available on Request



Material Data

PART NO.	COMPONENT	MOC
1	Body	CI, DI, FG210, 216 WCB, CF8/8M, CF3/3M
2	H.P. Cover	CI, DI, FG210, 216 WCB, CF8/8M, CF3/3M
3	L.P. Cover	CI, DI, FG210, 216 WCB, CF8/8M, CF3/3M
4	Cowl	Carbon Steel / Stainless Steel
5	Renewable L.P. Seat	SS 304, SS 316
6	L.P. Seat Ring	Rubber, PTFE
7	Renewable H.P. Seat	SS 304, SS 316 - Rubber Impregnated
8	H.P. Side Plug	SS 304, SS 316
9	H.P. Float	SS 304, SS 316
10	L.P. Float	SS 304, SS 316
11	Cover Gasket	EPDM, PTFE
12	Seat Gasket	EPDM, PTFE
13	Studs & Nuts	IS 1367, A193 B7, B8, B8M
14	Studs & Nuts	IS 1367, A193 B7, B8, B8M
15	Studs & Nuts	IS 1367, A193 B7, B8, B8M
16	Name Plate	Aluminium, Stainless Steel

Design Data

DESCRIPTION	STANDARD / DETAILS
Design Standard	IS 14845, AWWA C512
Connection	ANSI B16.5, IS, DIN, NPT, BSP, SW
Rating	PN 10, PN 16, PN 25 (Equivalent)

- Inspection: IRS, DNV, LLOYDS, BV, TUV
- MTC: 3.1 and 3.2 Certification Possible