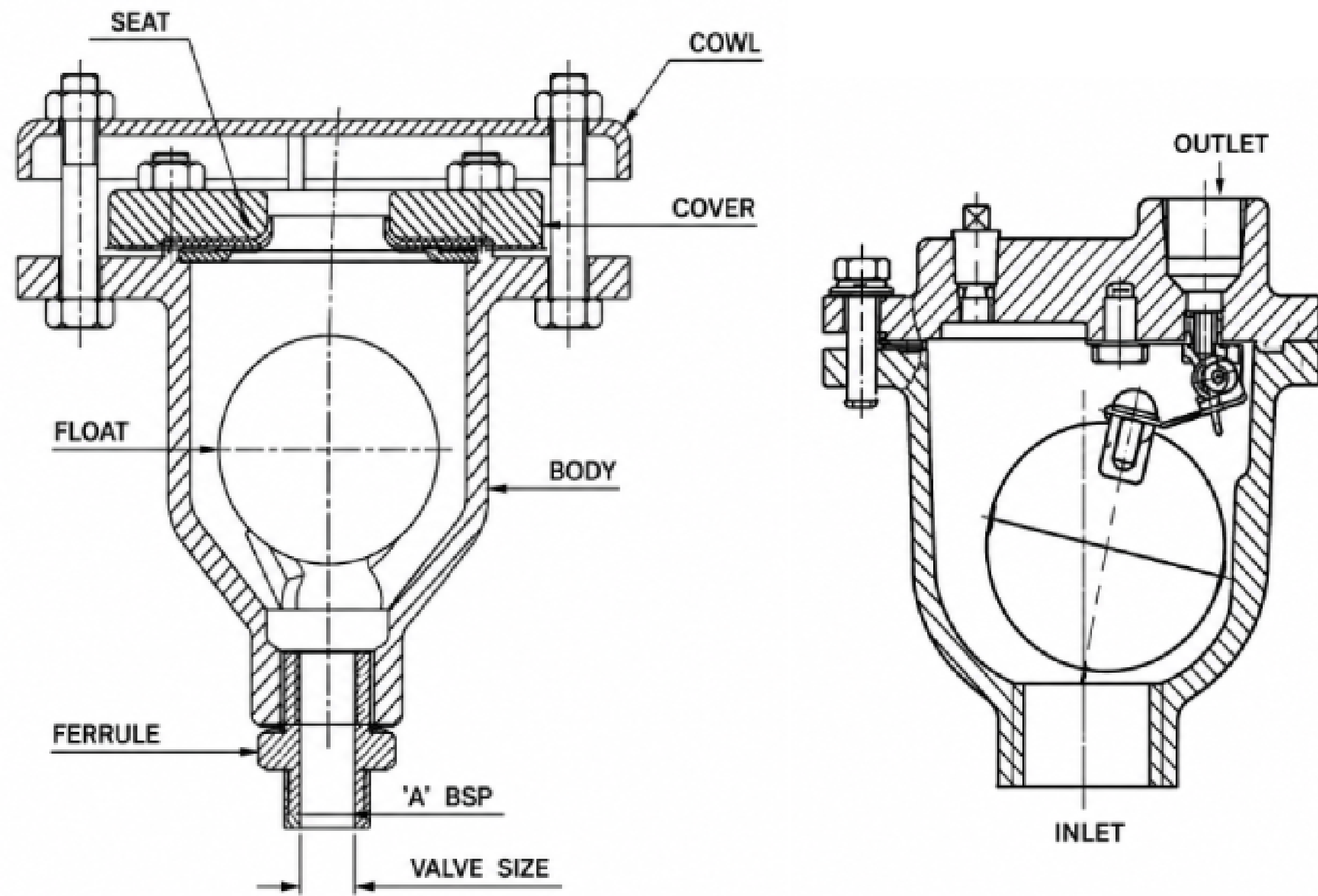


AIR RELEASE VALVE SL SERIES

General Features

- 100% Tight Shut Off
- Renewable Seats
- High Discharge Rated Orifice
- RT, PMI & MPT Available on Request
- Isolation Valves Available on Request



Material Data

COMPONENT	MATERIAL
Body	CI, DI, FG210, 216 WCB, CF8/8M, CF3/3M
Studs & Nuts	IS 1367, A193 B7, B8, B8M
Seat Gasket	EPDM, PTFE
H.P. Float	SS 304, SS 316
Cowl	Carbon Steel / Stainless Steel

Design Data

DESCRIPTION	DETAILS
Design Standard	IS 14845, AWWA C512
Connection	ANSI B16.5, IS, DIN, NPT, BSP, SW
Rating	PN 10, PN 16, PN 25 (Equivalent)

- Inspection: IRS, DNV, LLOYDS, BV, TUV
- MTC: 3.1 and 3.2 Certification Possible

